

Specification

SERIES NO.	33MN1PH-D
IMAGE SENSOR	1/3" MEGAPIXEL CMOS WDR SENSOR (ROLLING SHUTTER)
TOTAL PIXELS	1280(H) X 1024(V) APPROX. 1.3M PIXEL
SCANNING SYSTEM	PROGRESSIVE SCAN
SYNC SYSTEM	INTERNAL
MINIMUM ILLUMINATION	0.05 LUX @ AGC ON /SENS-UP OFF/ F1.2
RESOLUTION	OVER 700 TV-LINE
LENS & VIEW ANGLE	3.6mm F2.0 / 92°
S / N RATIO	48DB (TYP) (GAMMA, APERTURE, AGC OFF)
AUTO IRIS	AES
VIDEO FORMATOUT	1080P 25/30HZ
DIGITAL VIDEO OUT (HDV)	HD-SDI (WITHOUT CABLE DRIVER)
ANALOG VIDEO OUT	CVBS
OPERATION TEMPERATURE	-20°C TO 50°C
OPERATIONAL HUMIDITY	WITHIN 85% RH
POWER SUPPLY	DC12V±1V / 200MA

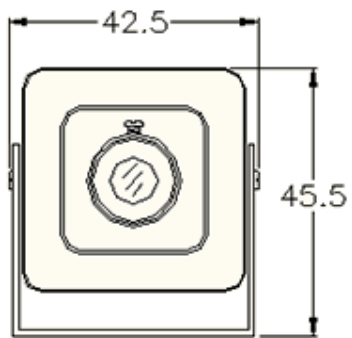
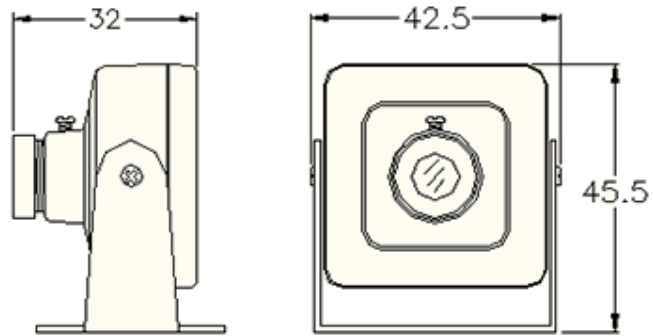
Caution for Installation:

1. Avoid places where there is direct sunlight. When using the camera outside.
2. Be careful, never let any water in this equipment.
3. Do not directly touch the Sensor device. If necessary, use a soft cloth moistened with alcohol to wipe off the dust.
4. When the camera installs in dust or wet environment, please puts into the camera housing.
5. Be extra careful not to shake the camera.
6. Avoid places where temperatures exceed 50 °C or more.
7. Be extra careful not to mistake plug in connect.
8. The camera are only operated with regulative adaptor DC 12V, AC to DC non-regulative adaptor may cause camera damaged.

Model No.33**MN1P** 企_VER 1.0

Model number: MN1P

Dimension (Unit : mm / ± 0.3 mm)



Item No.MHD-33MN1PH-D

- HD-SDI Video out
- Power : DC 12V / 200mA
- Day/ Night :IR-Cut filter
- Features : MN1PH common functions